

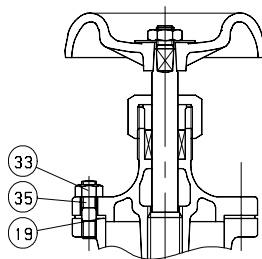
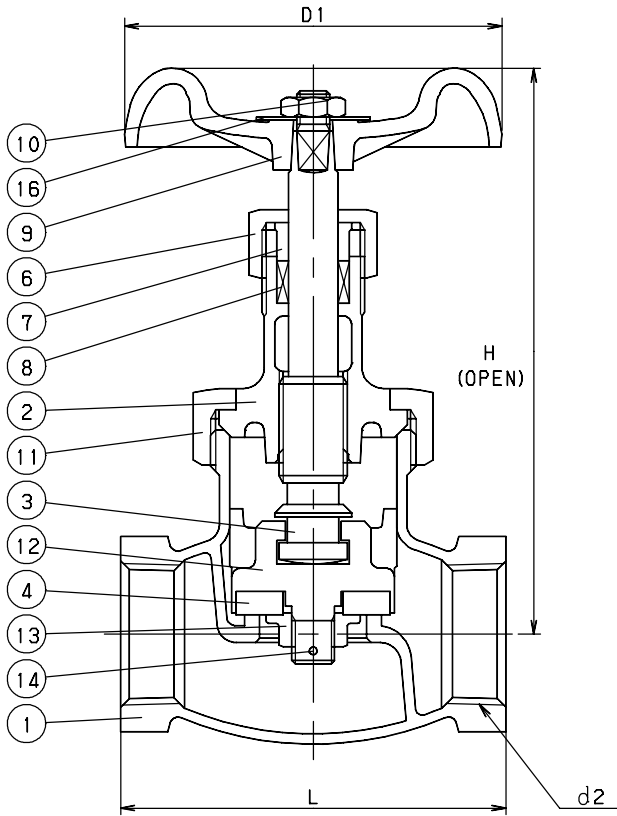
GLOBE

CLASS 150 BRONZE

Union-Bonnet • Inside Screw • Rising Stem
G/F PTFE Disc

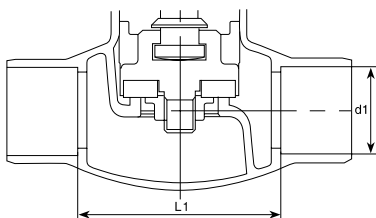
BRONZE GLOBE

CODE # 09 (AK150D) THREADED



2 1/2" & Larger

CODE # 10 (C150D) SOLDER*



STANDARDS

| | |
|-------------------|-------------------|
| END TO END | KITZ |
| THREADED ENDS | ANSI B1.20.1 |
| SOLDER JOINT ENDS | ANSI B16.18 |
| DESIGN | MSS SP-80, TYPE 2 |
| MILITARY | MSS SP-80, TYPE 2 |

PRESSURE/TEMPERATURE

150 PSI - SATURATED STEAM TO 366°F
- FLUID TO 406°F
300 PSI NON-SHOCK COLD WATER, OIL OR GAS

*SEE PRESSURE/TEMPERATURE LIMITATIONS FOR SOLDER JOINT VALVES - PAGE BIV-50.

MATERIAL LIST

| NO. | NAME OF PART | SPECIFICATION |
|-----|------------------------|-----------------------------|
| 1 | BODY | CAST BRONZE (ASTM B62) |
| 2 | BONNET | CAST BRONZE (ASTM B62) |
| 3 | STEM | CAST BRONZE (ASTM B62) |
| 4 | DISC | G/F PTFE |
| 6 | PACKING NUT | FORGED BRASS (B283, C37700) |
| 7 | GLAND | BRASS ROD (B16) |
| 8 | GLAND PACKING | ARAMID FIBERS W/ GRAPHITE |
| 9 | HAND WHEEL (1/4 - 1/2) | ZINC DIE-CAST (B86) |
| | (3/4 - 2 1/2) | ALUMINUM DIE-CAST (B85) |
| | (3) | DUCTILE IRON (A536) |
| 10 | WHEEL NUT | BRASS ROD (B16) |
| 11 | BONNET RING (1/4 - 2) | CAST BRONZE (B62) |
| 12 | DISC HOLDER | CAST BRONZE (B62) |
| 13 | DISC NUT (1/4 - 3/4) | BRASS ROD (B16) |
| | (1 - 3) | FORGED BRASS (B283, C37700) |
| 14 | SPLIT PIN | COPPER |
| 16 | NAME PLATE | ALUMINUM |
| 19 | GASKET | ARAMID FIBER SHEET |
| 33 | BONNET NUT | BRASS ROD (B16) |
| 35 | BONNET BOLT | CARBON STEEL |

DIMENSIONS - WEIGHTS - QUANTITIES

| d2 SIZE | H | D1 | L | L1 | d1 Max. | d1 Min. | APPROX. NET WT. | CARTON QTY |
|------------|-------|------|------|------|------------|------------|--------------------|---------------|
| 1/4 | 4.29 | 2.36 | 2.09 | 1.66 | .381 | .377 | 0.96 | 48 |
| 3/8 | 4.29 | 2.36 | 2.17 | 1.64 | .506 | .502 | 0.98 | 48 |
| 1/2 | 4.57 | 2.76 | 2.52 | 1.83 | .631 | .627 | 1.11 | 36 |
| 3/4 | 5.35 | 3.54 | 3.07 | 2.24 | .881 | .877 | 1.88 | 24 |
| 1 | 5.87 | 3.94 | 3.54 | 2.59 | 1.132 | 1.128 | 3.13 | 16 |
| 1 1/4 | 6.81 | 4.53 | 4.13 | 3.02 | 1.382 | 1.378 | 4.42 | 12 |
| 1 1/2 | 7.17 | 4.53 | 4.72 | 3.53 | 1.633 | 1.628 | 5.75 | 8 |
| 2 | 8.23 | 5.31 | 5.71 | 4.41 | 2.133 | 2.128 | 10.50 | 4 |
| 2 1/2 | 9.72 | 6.10 | 6.69 | 5.13 | 2.633 | 2.628 | 17.33 | 3 |
| 3 | 10.83 | 7.09 | 7.87 | 6.29 | 3.133 | 3.128 | 28.00 | 1 |